

# TECHNICAL SUPPORT

## Mic Wiring Diagrams

### 4 Pin - 5 Pin - 6 Pin - & Echo Mikes

---

#### Alternate Microphones and Installation:

For best results, the user should select a low-impedance dynamic type microphone or a transistorized microphone. The microphone should provide the functions as shown in the schematic diagram below for the desired mic used.

[4 Pin](#) - [5 Pin](#) - [6 Pin](#)

#### For Ranger Echo Microphones:

[SRA-117A Echo \(4 Pin\)](#) - [SRA-117 \(6 Pin\)](#)

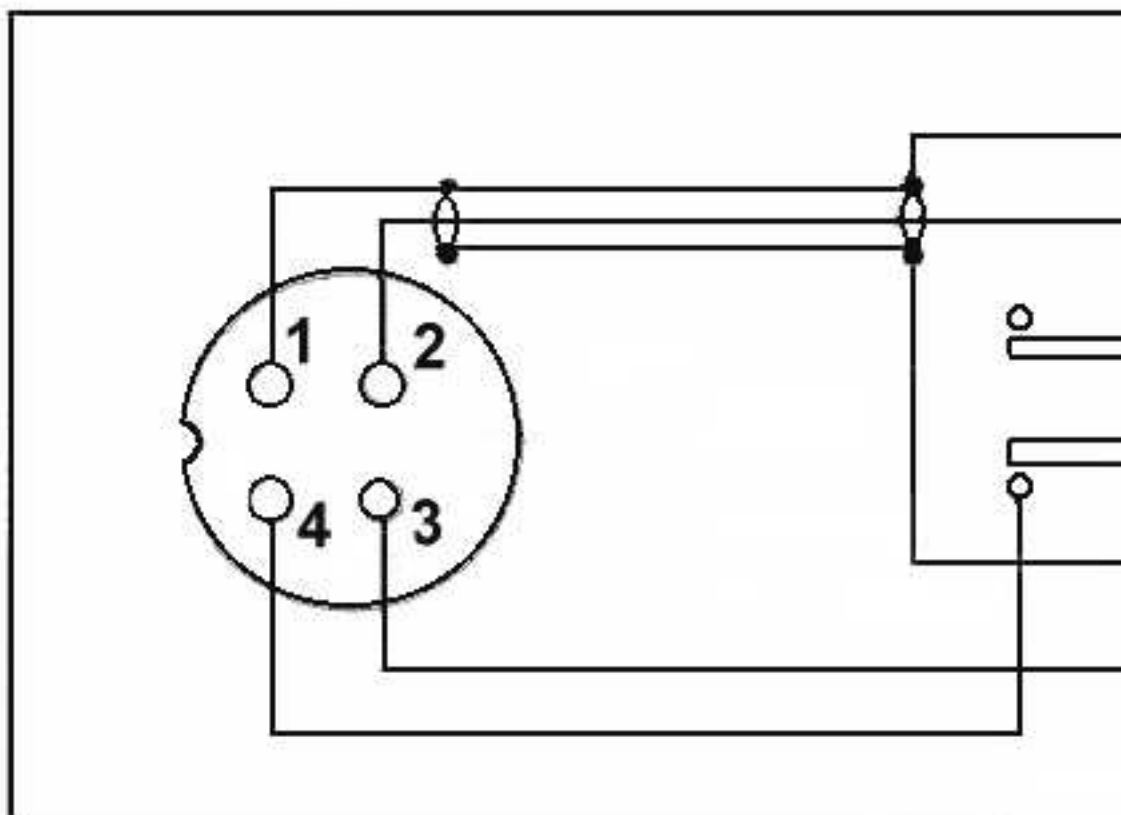
---

The 4 Pin Microphone is used on the following model Ranger radios:

**Citizens Band :** All TR-100 Series, TR-396F, TR-696F, TR-696F SSB Base, All TR-900 Series.

**Amateur Model:** RCI-2980, RCI-2980WX, RCI-6300 Series, RCI-6900 Series

Pin Number
1
2
3
4

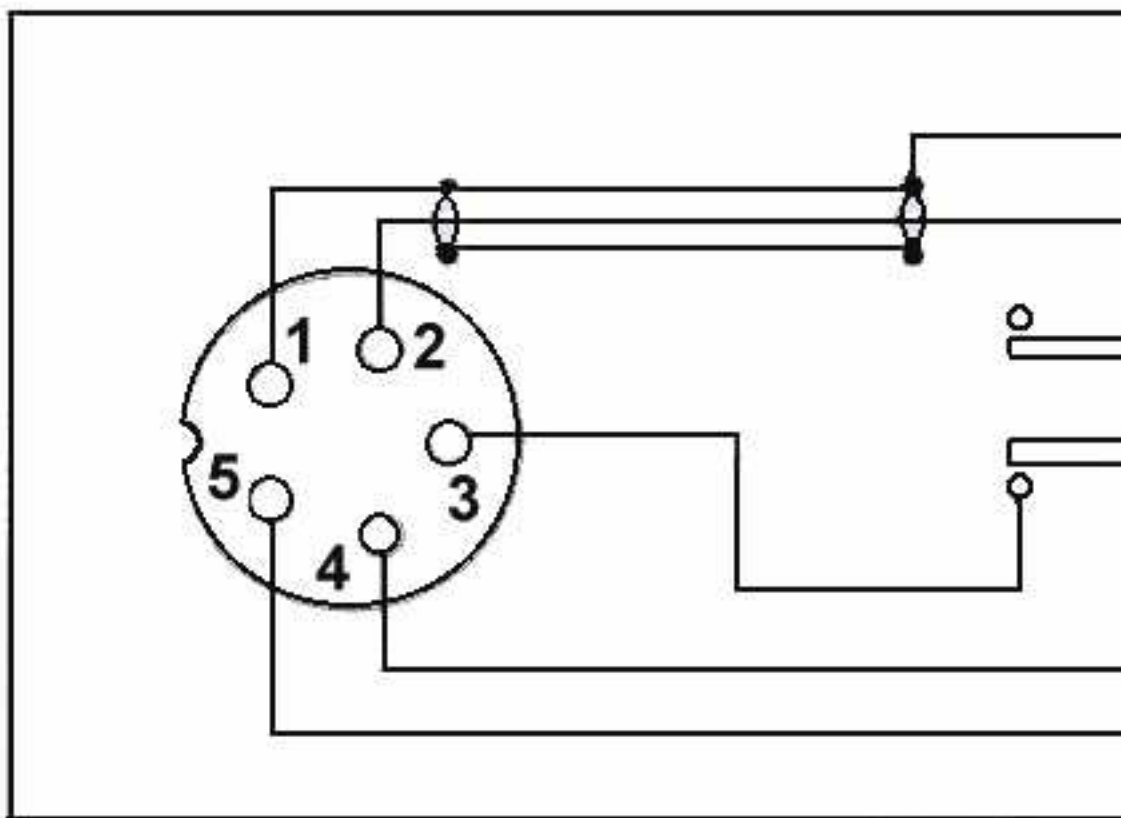


[Return to Top of Page](#)

---

The 5 Pin Microphone is used on the following model Ranger radios:  
**Citizens Band : All TR-296 Series.**

Pin Number
1
2
3
4
5

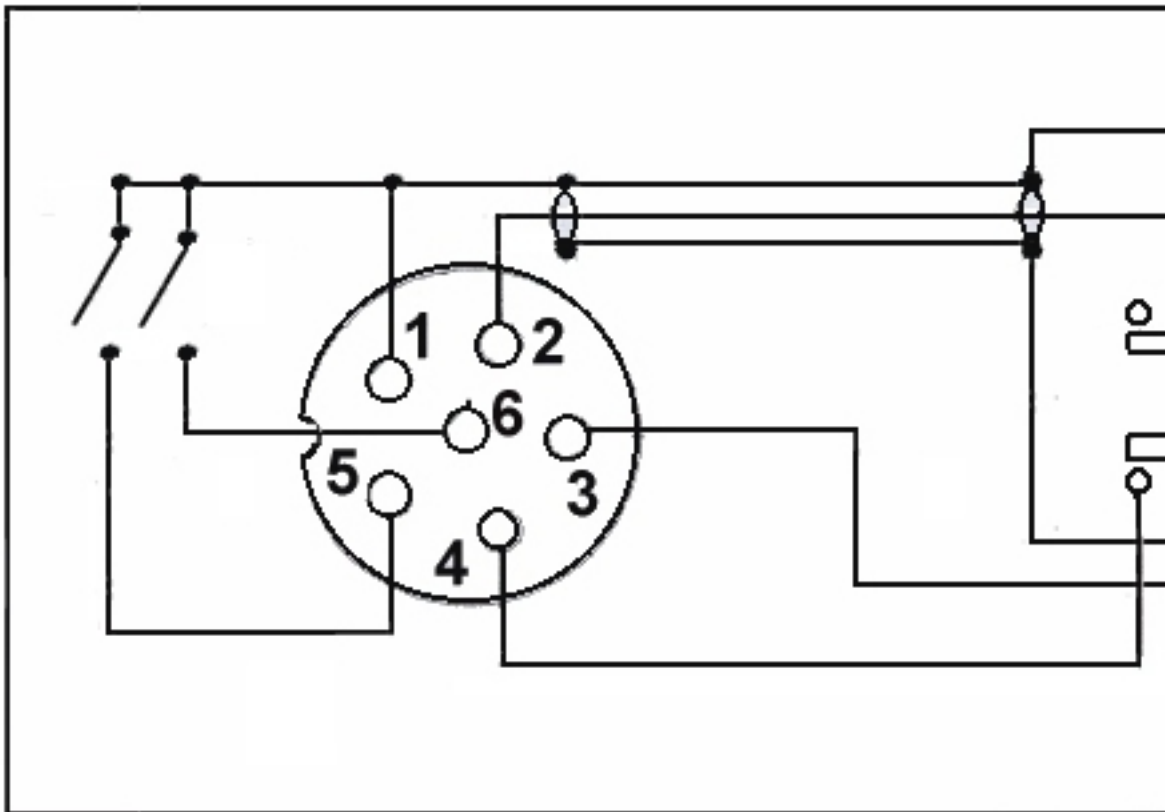


[Return to Top of Page](#)

---

The 6 Pin Microphone is used on the following model Ranger radios:  
**Amateur Models:** All RCI-2900 Series, All RCI-2900DX Series, RCI-5054DX.

Pin Number
1
2
3
4
5
6



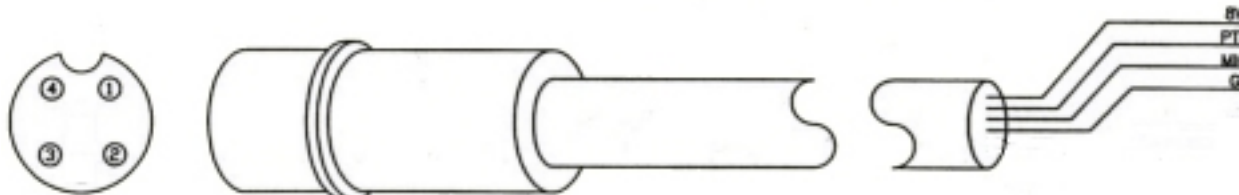
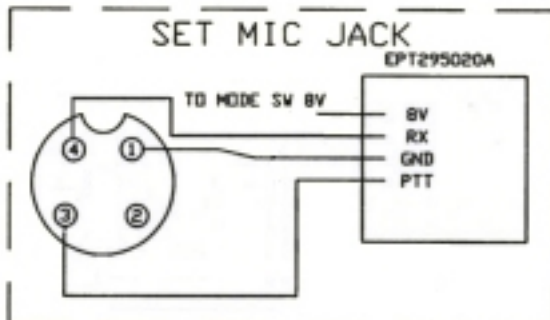
[Return to Top of Page](#)

---

The SRA-117A 4 Pin Echo Microphone is used on the following model Ranger radios:  
**Citizens Band :** TR-396F, TR-696F, All TR-900 Series.  
**Amateur Model:** TR-2960F Series

### SRA-117-A

- 1. GND
- 2. MIC
- 3. PTT
- 4. 8V



[Return to Top of Page](#)

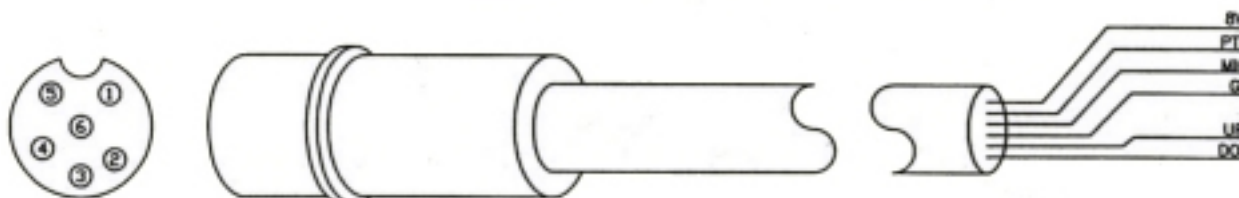
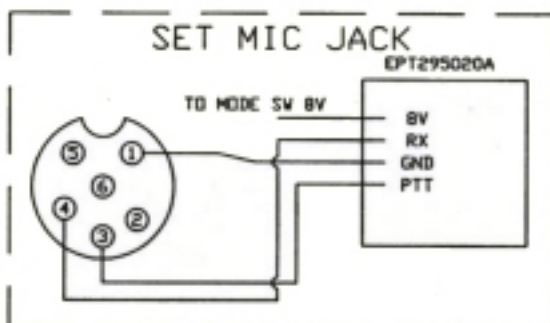
---

The SRA-117-1 6 Pin Echo Microphone is used on the following model Ranger radios:

**Amateur Model:** RCI-2950 Series, RCI-2970 Series, RCI-2990 Series

### SRA-117

- 1. GND
- 2. MIC
- 3. PTT
- 4. 8V
- 5. UP
- 6. DDW



[Return to Top of Page](#)